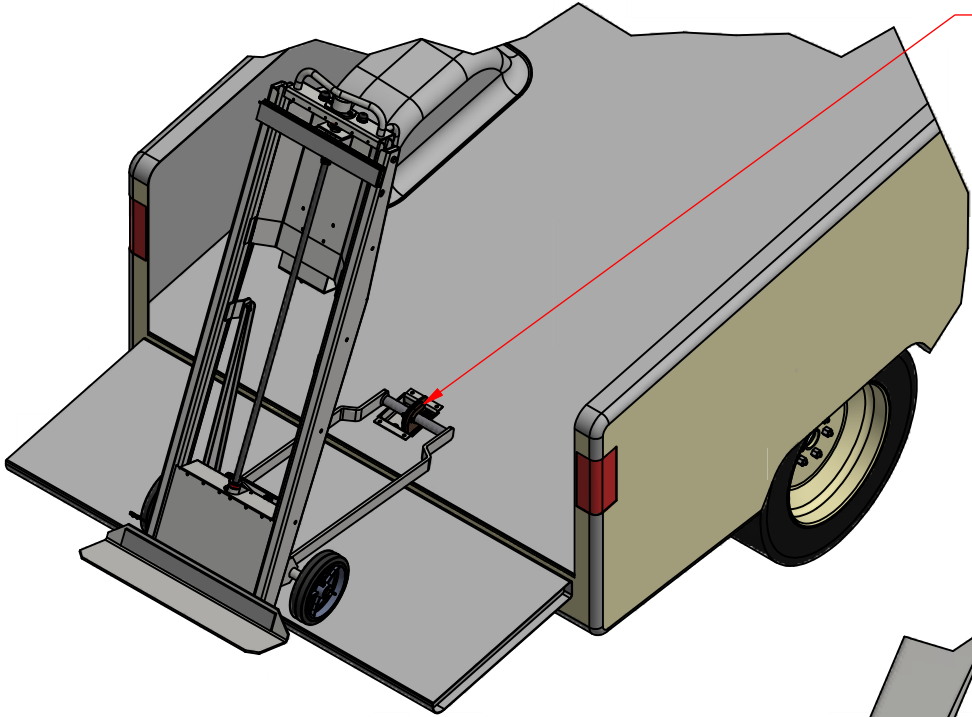


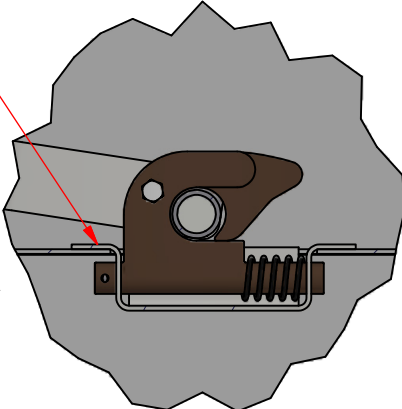
HOOK BOX INSTALLATION

PN 400090

1. Cut a rectangular hole in the truck floor to suit the Hook Box. Measure back from the drop edge (tailgate shown) 29 1/4" to the rear edge of the cutout. Center the cutout in the vehicle floor.
2. Bolt or weld Hook Box to the vehicle floor. Reinforce the floor underneath, if required. The Hook should be flush with the floor when in the down position.

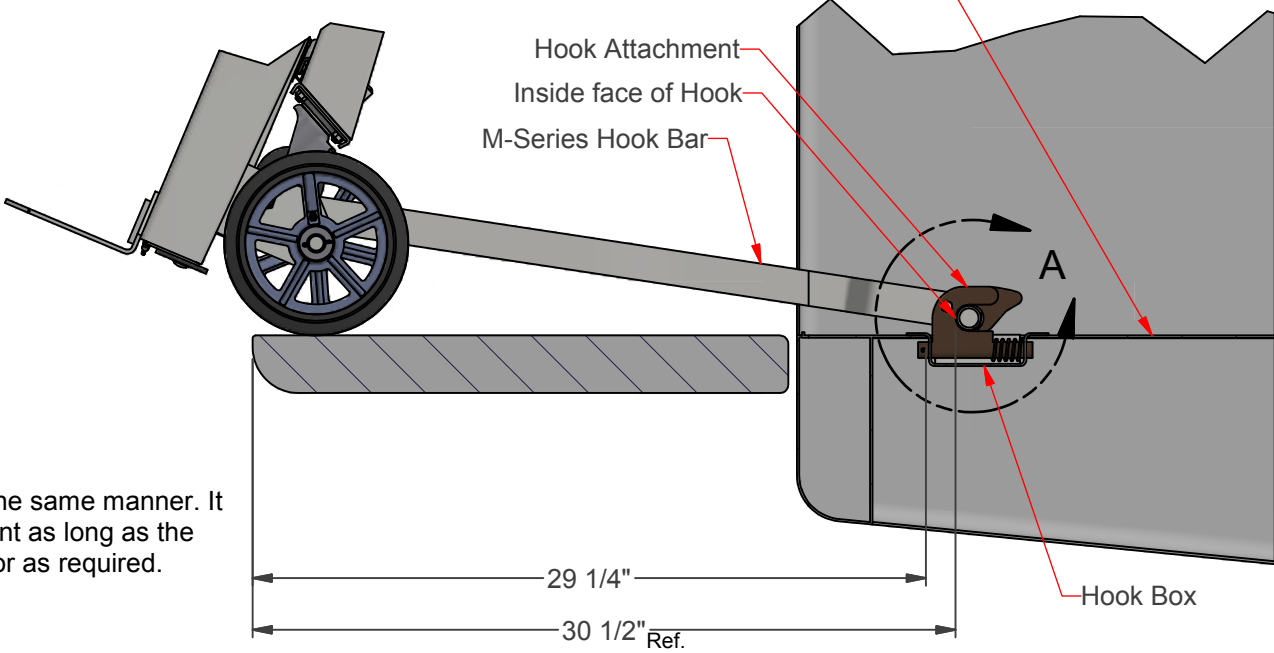


POSITION IN PICK-UP TRUCK BOX



DETAIL A

Vehicle Floor -reinforce underneath as required.



SECTION VIEW

NOTE: The Hook Box is installed in a Flatbed Vehicle in the same manner. It may also be installed in a side loading arrangement as long as the 29 1/4" dimension is maintained. Reinforce the floor as required.